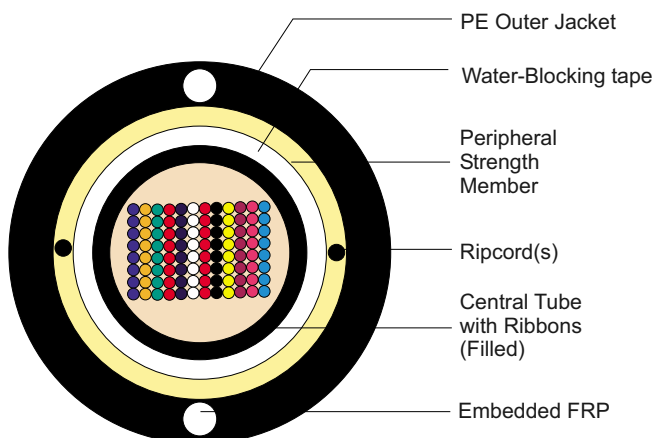


RIBBON FIBER CABLE

Uni-Tube Armored/Dielectric Cable



Suitable for aerial, buried or duct applications, Ribbon Fiber cables are the most widely used cables today. Teracom Ribbon Fiber cables are available in a wide variety of standard and customized configurations. Standard configurations are dielectric or armored with a single or dual jacket design.

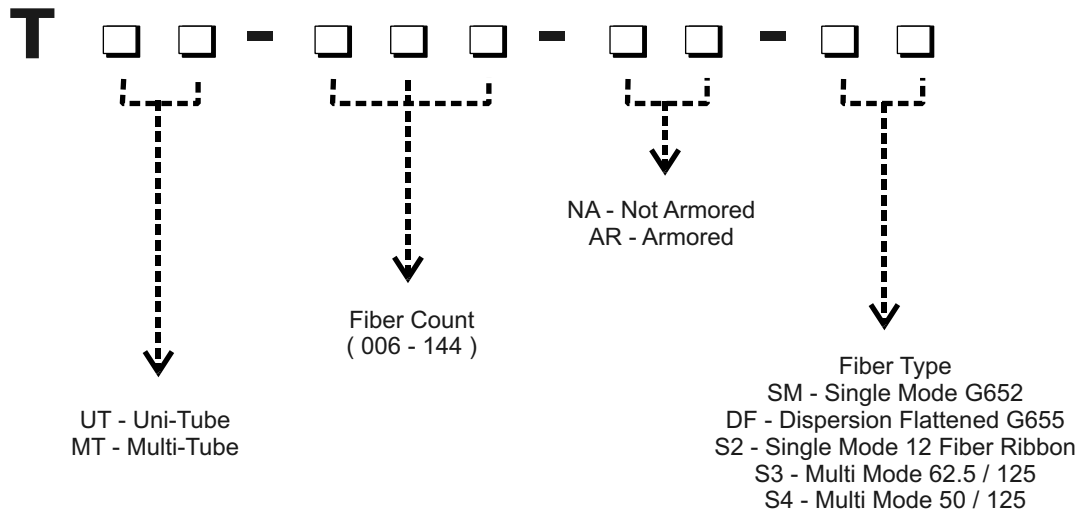
Teracom cables are constructed with dispersion unshifted single mode fiber. These fibers are matched clad, consisting of a doped silica core surrounded by a concentric silica cladding. The stranded single mode matched clad fibers are designed for the transmission of large complicated data, video, and voice with very low transmission loss.

Features	Benefits
▶ Lightweight	Ease of Installation.
▶ Rugged Design	Environmental Stability.
▶ High Quality Polyethylene Jacket	Excellent resistance of cracking abrasion during blown or pulled installation.
▶ Ribbons in one buffer Tube	Ease of installation
▶ Designed for duct, lashed Aerial. or direct buried Installations.	Ease of Installation.

Specifications	
▶ Maximum Tensile Loading	660 lbs
▶ Maximum recommended Service Load.	200 lbs
▶ Environmental Temperature .	
-Installation	-30° C to +60° C .
-Operating	-40° C to +70° C
-Storage	-50° C to +75° C
▶ Compression Resistance	220N/ cm
▶ Compound Flow Temperature	< 80° C

Fiber Count	# of Tubes	# of Fibers / Tube	# of Ribbons / Tube	Max # of Tubes and Filler Rods	Cable Outside Diameter (Dielectric)	Cable Weight Kg/Km (Dielectric)	Cable Outside Diameter (Armored)	Cable Weight Kg/Km (Dielectric)
36	1	36	3	1	11.5	105	12.6	165
48	1	48	4	1	11.5	110	12.6	170
72	1	72	6	1	12.1	120	13.0	180
96	1	96	8	1	12.8	140	13.8	200

Ordering Information



Teracom Fiber Optics AG
 Seestrassée 78CH - 8703 Erlenbach Switzerland
 Tel: +41 1 914 74 92, +41 1 914 74 93; Fax: +41 1 914 74 90