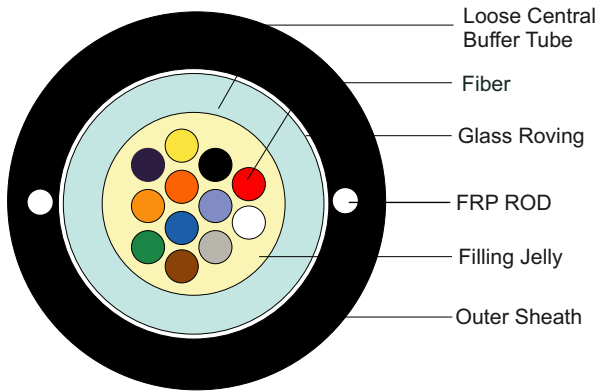


# LOOSE TUBE CABLE

## Uni-Tube Cable for CATV



Suitable for aerial, duct buried applications. Teracom Unitube CATV Cables offer significant advantages in installation and deployment time. The strength members are provided around the buffer tubes to ensure excellent crush and impact resistance and to enable easy access to fibers during cable splicing.

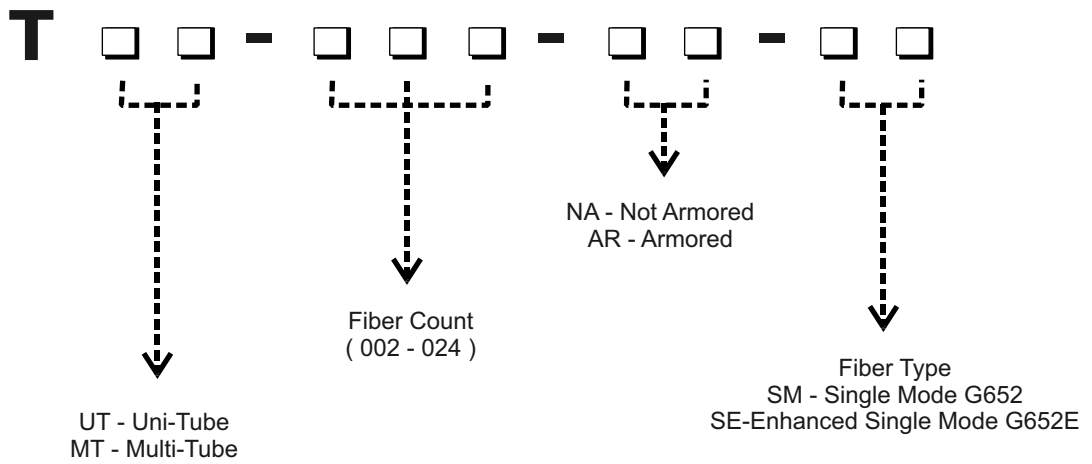
Teracom Cables are constructed with highest quality optical fibers from internationally reputed manufacturers and the cable manufacturing is done under strict quality assurance system adhering to ISO 9001 Quality System.

Features	Benefits
▶ Lightweight	Ease of Installation.
▶ Rugged Design	Environmental Stability.
▶ High Density Polyethylene Sheath	Excellent resistance of cracking abrasion during blown or pulled installation.
▶ Fibers in individual buffer Tubes	Ease of installation, identification and routing.
▶ Designed for duct, lashed aerial or direct buried Installations.	Ease of Installation.

Specifications	
▶ Tensile Strength	900N
▶ Short Time Bending Radius	65-85 mm
▶ Long Time Bending Radius	130-170 mm
▶ Crush Resistance	2000N
▶ Torsion Resistance	360°;10 Cycles
▶ Repeated Bending	10 D mm
▶ Operating Temperature Range	-20°C to +70°C

Fiber Count	# of Tubes	# of Fibers / Tube	Cable Outside Diameter	Cable Weight Kg/Km
2	1	6	7.5	45
4	1	4	7.5	45
6	1	6	7.5	45
12	1	12	8.0	50

## Ordering Information



**Marketing Office**  
 TERACOM PRIVATE LIMITED  
 B-49,SECTOR 59  
 NOIDA - 201301  
 UP, NOIDA  
 Phone: +91 120 2589812-16  
 fax: +91 120 2589815

**Agent/Distributor**



**Teracom Private Limited**  
 Plot No. 250, Kundaim Industrial Estate, Kundaim, Goa 403 115 INDIA  
 Tel : +91 832 239 5631, 239 6165, 66; Fax : +91 832 564 3189  
 Email: sales@teracomfiber.com